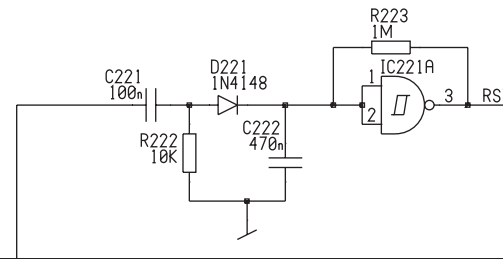
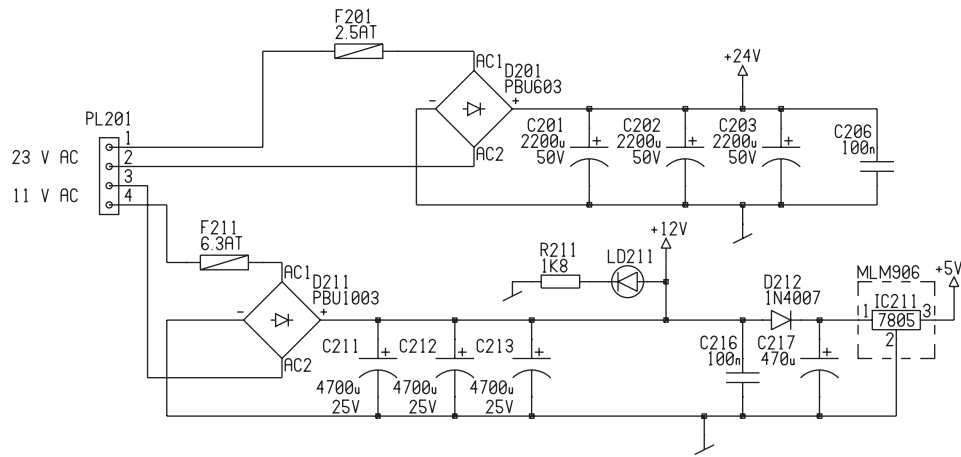


TRIG PAGE 2
 RST PAGE 2
 AD[0..7] PAGE 3.6
 A0 PAGE 3.4,6
 A[0..7] PAGE 3
 CP[0..2] PAGE 5
 CP[8..15] PAGE 3.4,6
 WR PAGE 3.4,6

PRODUCT		ROBOSCAN 1220XR		ENG.		Martin Professional A/S	
PCB ASSEMBLY		NAME		REVISION B		PAGE 1 OF 6	
845387 (101180B)		DATE 30/5/97		DRAWN BY PS		TIME 15:28	



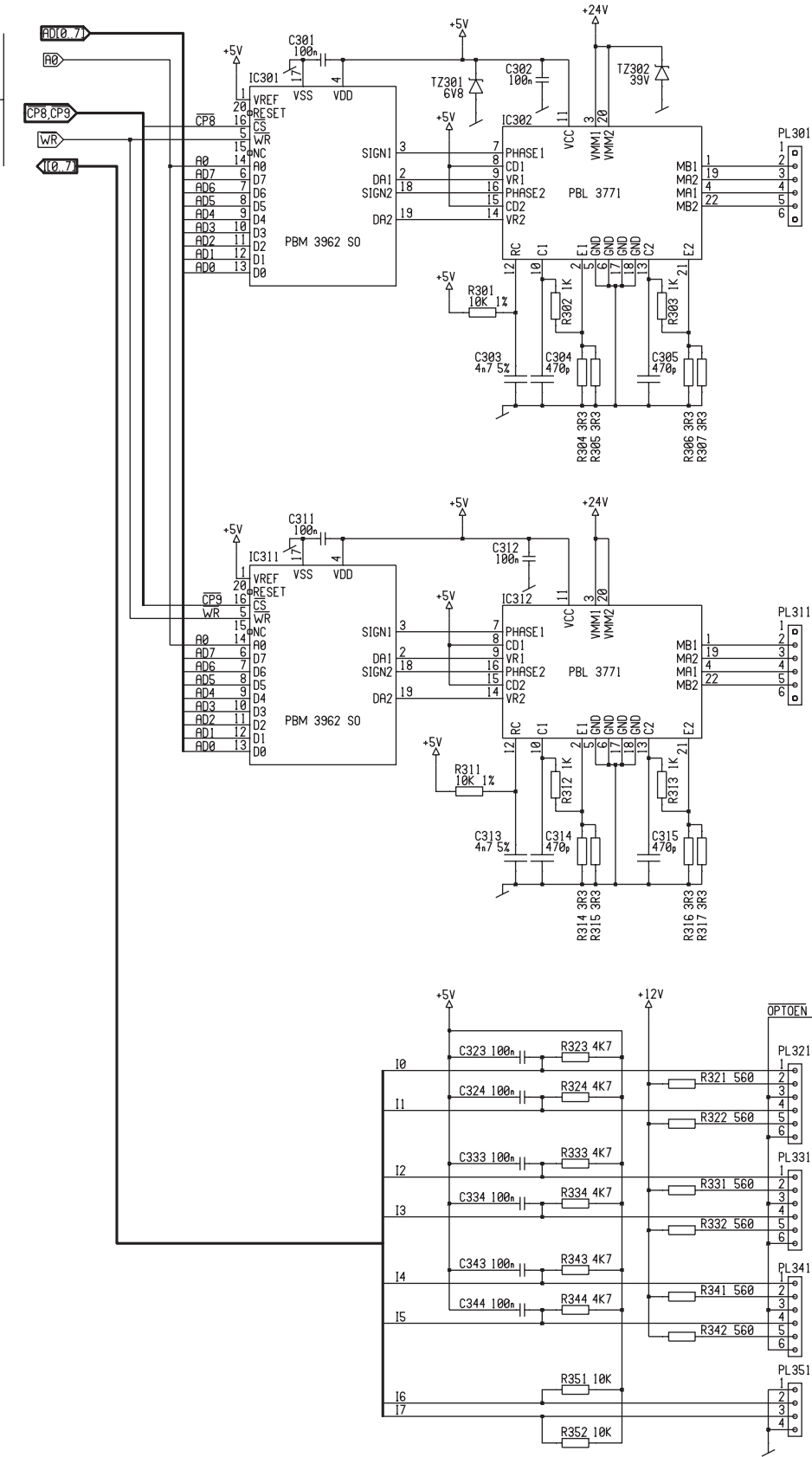
PAGE 1 RST

2D7

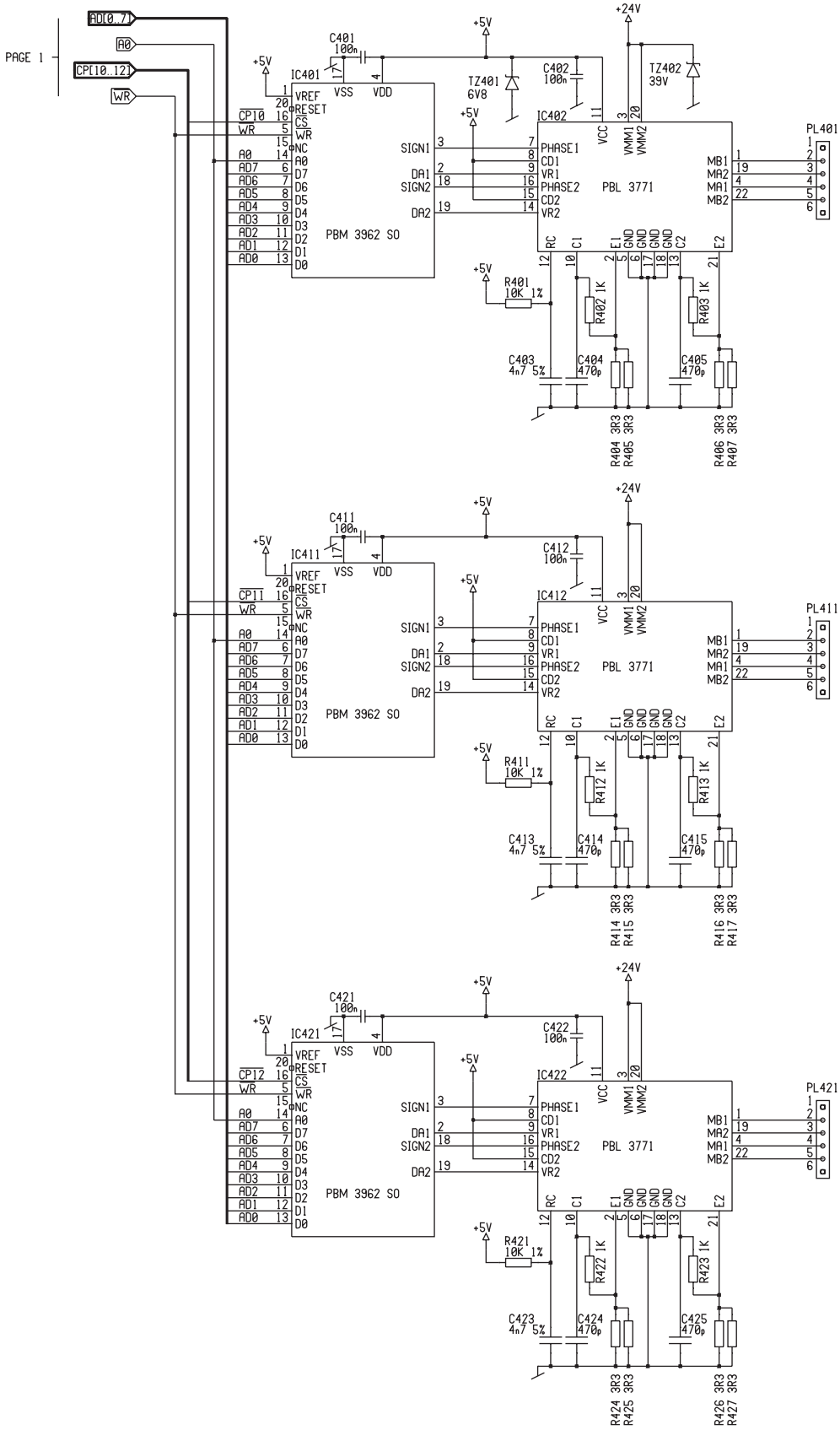
(MUSPWM)

2D7 PAGE 5

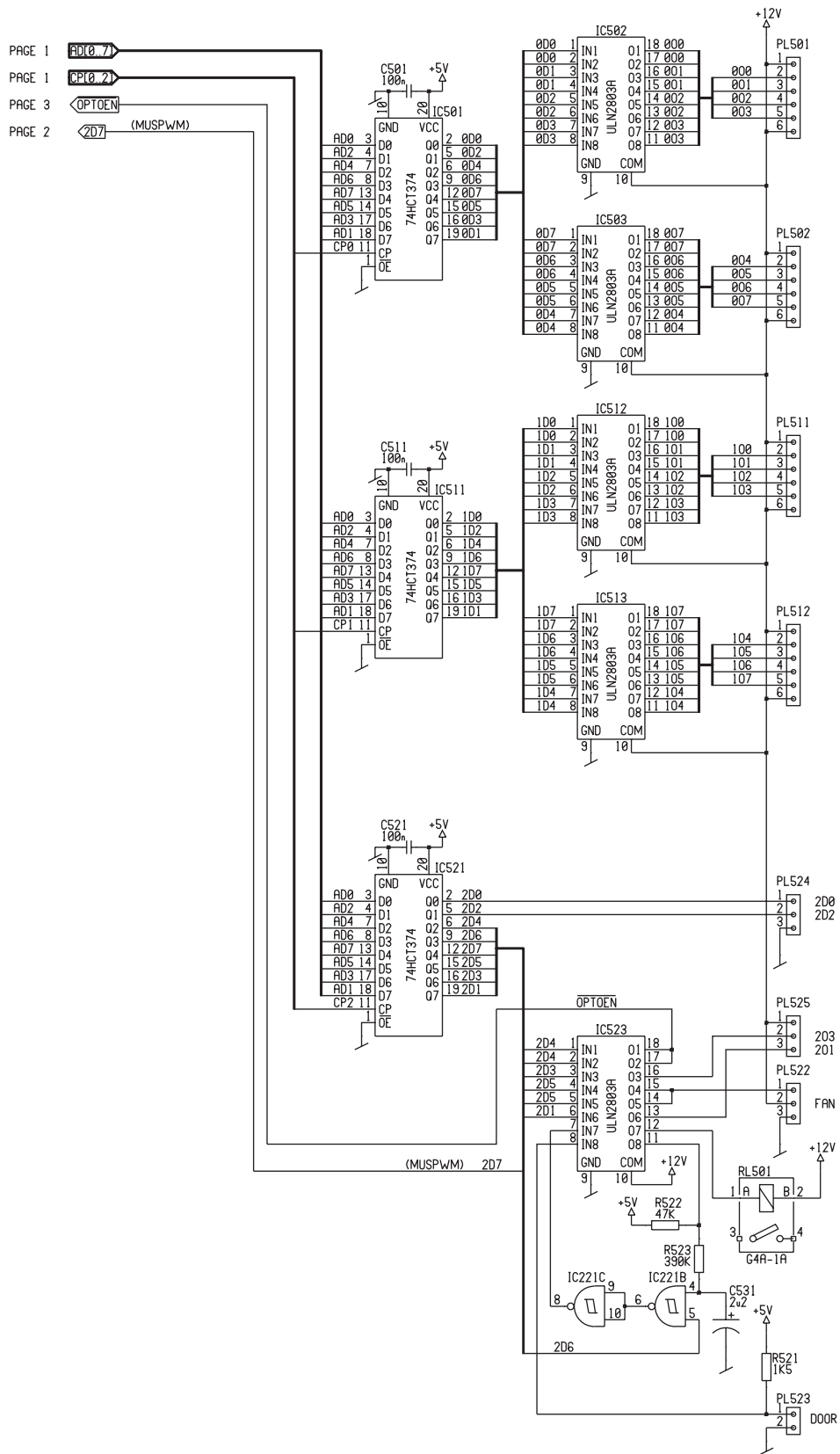
PRODUCT	ROBOSCAN 1220XR		ENG.	Martin Professional A/S	
	PCB ASSEMBLY			REVISION B	PAGE 2
NAME	845387 (101180B)		DRAWN BY PS		
			DATE 30/5/97	TIME 15:28	



PRODUCT	ROBOSCAN 1220XR	ENG.	Martin Professional A/S
	PCB ASSEMBLY	REVISION B	PAGE 3 OF 6
NAME	845387 (101180B)	DRAWN BY PS	
		DATE 30/5/97	TIME 15:29

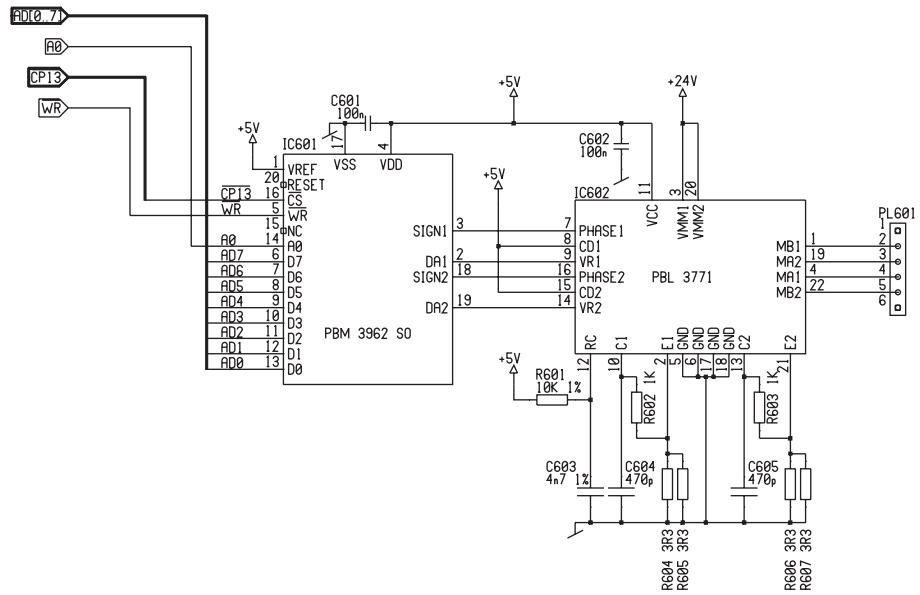


PRODUCT		ENG.	
ROBOSCAN 1220XR		Martin Professional A/S	
PCB ASSEMBLY		REVISION B	PAGE 4 OF 6
NAME		DRAWN BY PS	
845387 (101180B)		DATE 30/5/97	TIME 15:29

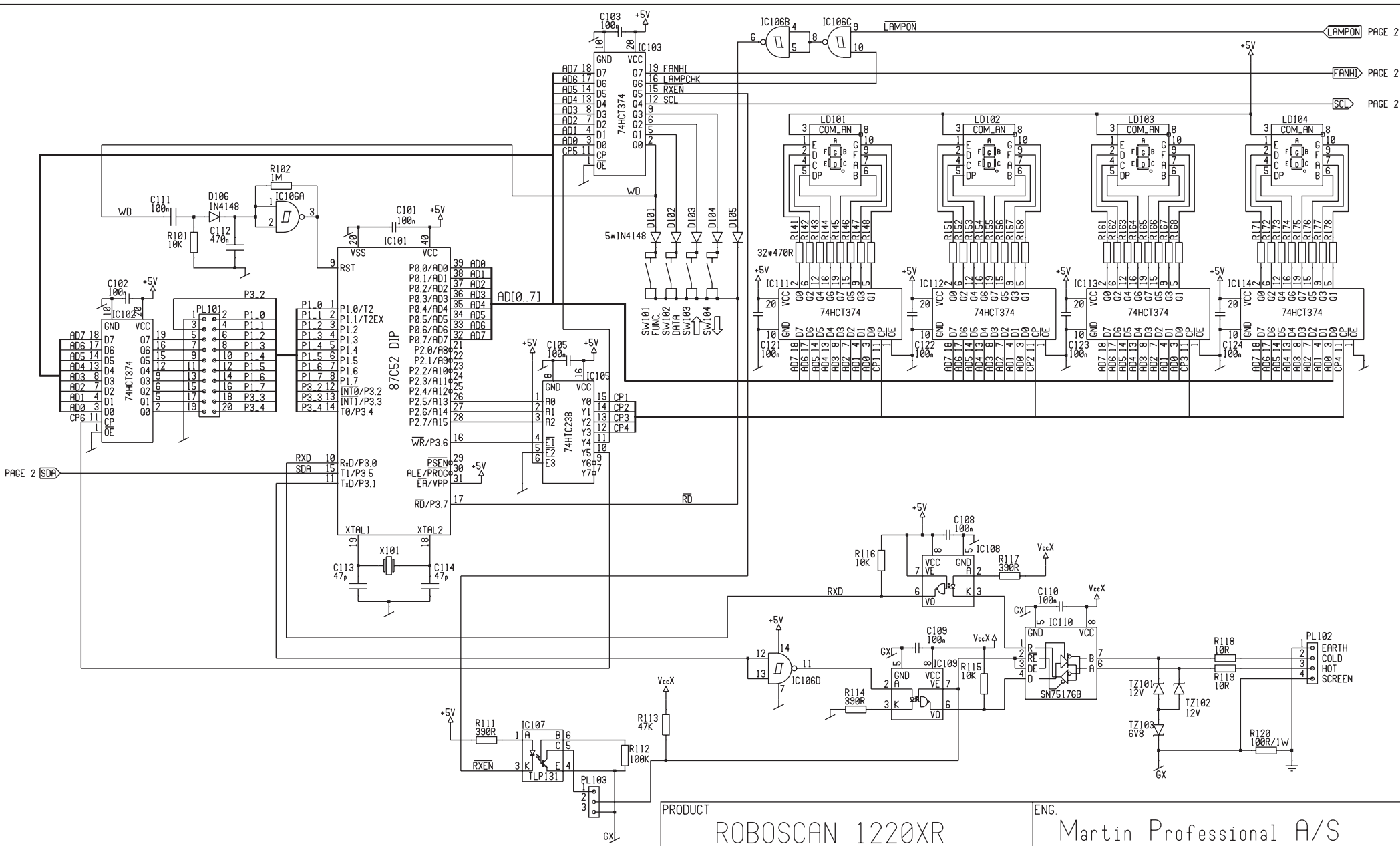


PRODUCT	ROBOSCAN 1220XR			ENG.	Martin Professional A/S		
	PCB ASSEMBLY			REVISION B	PAGE 5 OF 6		
NAME	845387 (101180B)			DRAWN BY PS			
	DATE 30/5/97		TIME 15:29				

PAGE 1



PRODUCT ROBOSCAN 1220XR PCB ASSEMBLY	ENG. Martin Professional A/S		
	REVISION B	PAGE 6 OF 6	
NAME 845387 (101180B)	DRAWN BY PS		
	DATE 30/5/97	TIME 15:30	



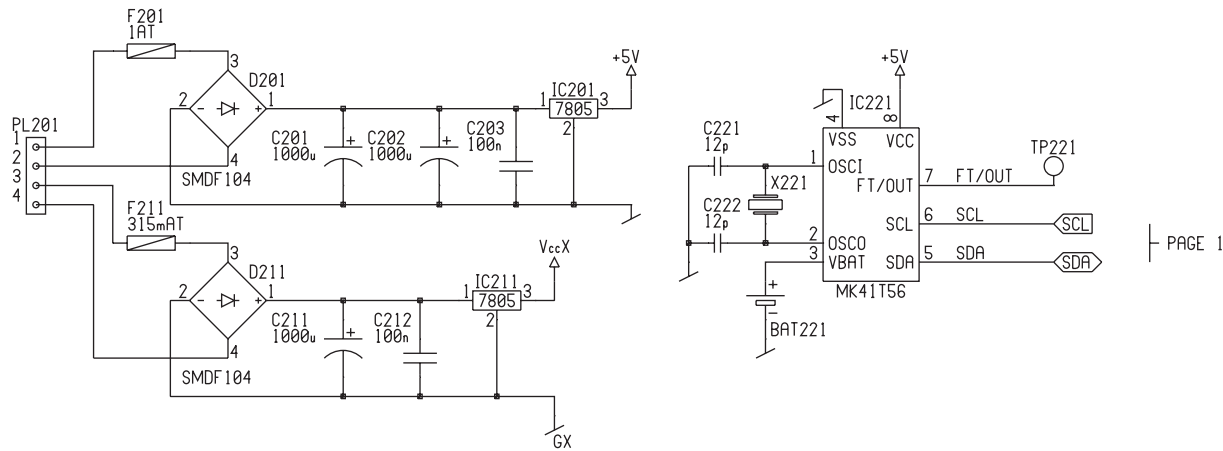
PAGE 2 (SDA)

LAMPON PAGE 2

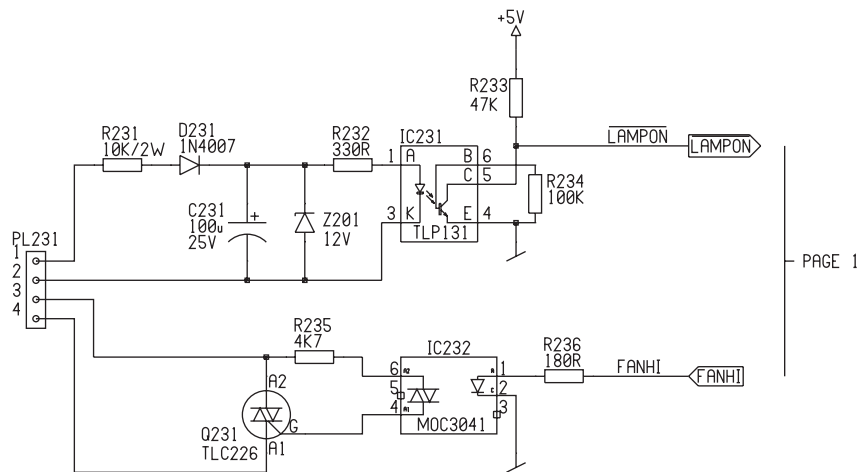
FANHI PAGE 2

SCL PAGE 2

PRODUCT	ROBOSCAN 1220XR		ENG.	Martin Professional A/S	
	DMX RECEIVER PCB ASSEMBLY		REVISION A	PAGE 1 OF 2	
NAME	846202 (101200B)		DRAWN BY PS		
			DATE 2/6/97	TIME 12:49	



PAGE 1



PAGE 1

PRODUCT	ROBOSCAN 1220XR		ENG.	Martin Professional A/S	
	DMX RECEIVER PCB ASSEMBLY		REVISION A	PAGE 2	OF 2
NAME	846202 (101200B)		DRAWN BY PS		
	DATE	2/6/97	TIME	12:49	